

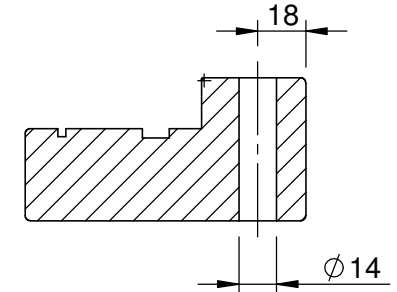
Rev.	Description	Rev. by	Date

FAST KARM 1-LUFT

Karmöver

Modul	I
13	744
14	794
15	844
16	894
17	944
18	994
19	1044
20	1094
21	1144
22	1194
23	1244
24	1294

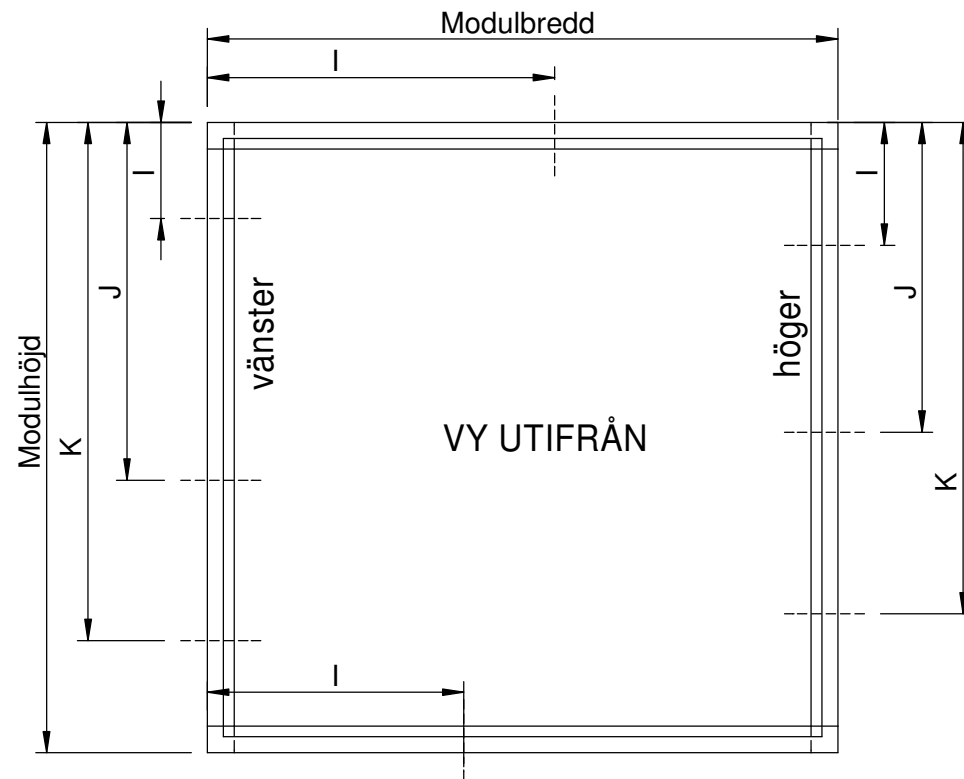
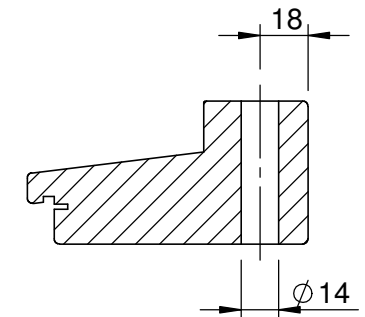
Karmöver och Karmsida



Karmunder

Modul	I
13	536
14	586
15	636
16	686
17	736
18	786
19	836
20	886
21	936
22	986
23	1036
24	1086

Karmunder



Karmsida Vänster

Modul	I	J	K
4	185		276
5	185		376
6	215		416
7	215		516
8	215		616
9	215		716
10	215		816
11	215		916
12	215		1016
13	215		1116
14	215	765	1216
15	215	815	1316
16	215	865	1416
17	215	915	1516
8	215	965	1616
19	215	1015	1716
20	215	1065	1816
21	215	1115	1916
22	215	1165	2016
23	215	1215	2116
24	215	1265	2216

Karmsida Höger

Modul	I	J	K
4	105		196
5	105		296
6	165		366
7	165		466
8	165		566
9	165		666
10	165		766
11	165		866
12	165		966
13	165		1066
14	165	615	1166
15	165	665	1266
16	165	715	1366
17	165	765	1466
8	165	815	1566
19	165	865	1666
20	165	915	1766
21	165	965	1866
22	165	1015	1966
23	165	1065	2066
24	165	1115	2166

Product Category

Window Outward

Product Type

Fixed

Designed by	Designed date	Approved by	Approved date	Processing Code	Material
JB	2018-02-20		2021-10-21		Pine
					Tolerances unless otherwise specified
					ISO 2768-1 m
Karmskravsplacering, frontvy Fast karm Frame screw placement, Front view Fixed window					View orientation
					Article Number
					Scale
					1:2
					Revision
					A
					Drawing Number
					61-39-E11
					Revision