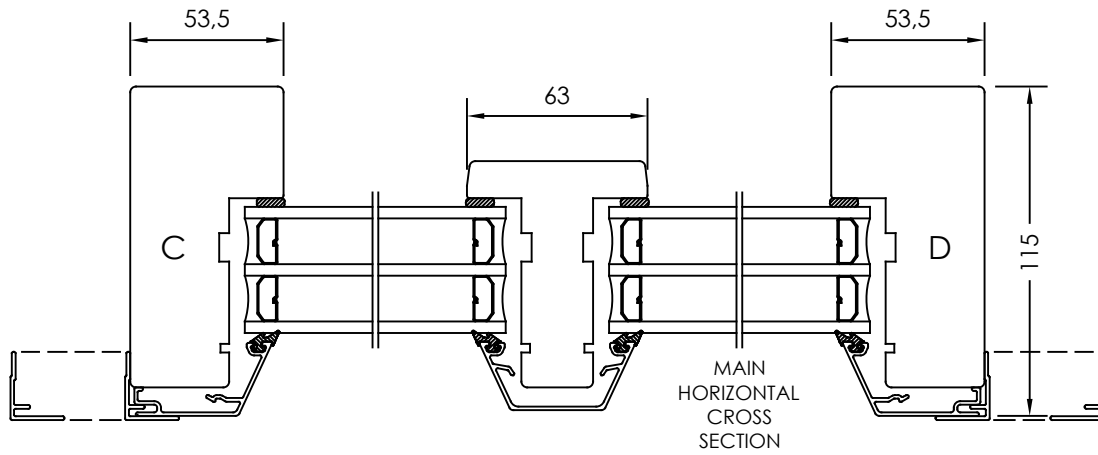
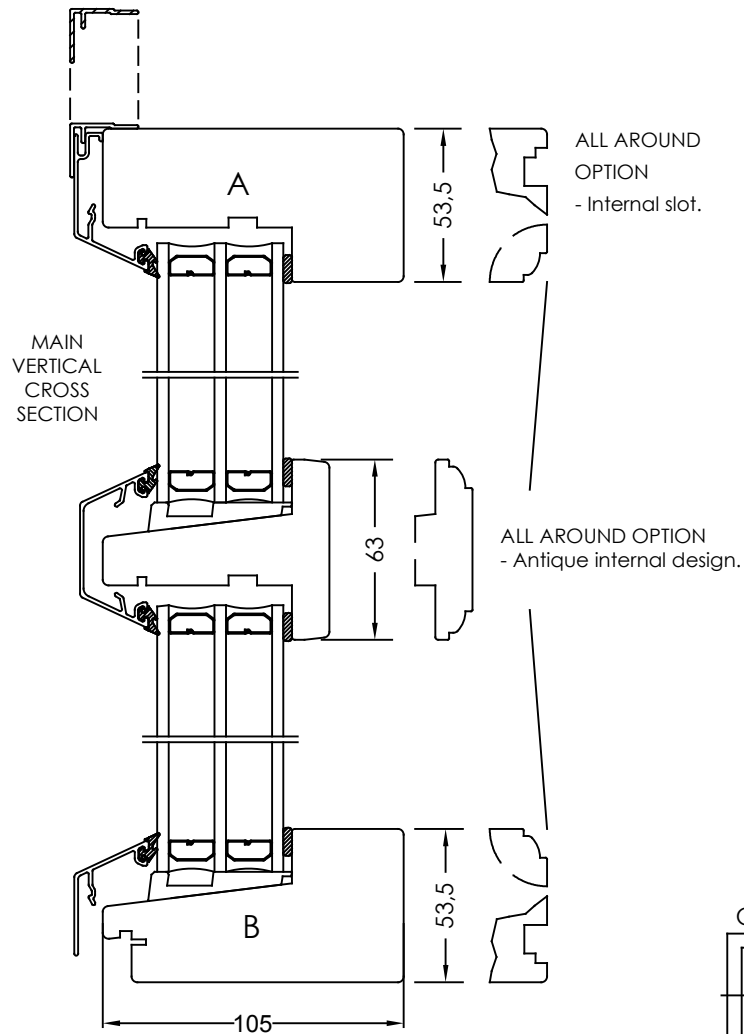


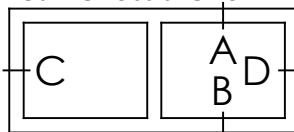
Rev	Description	Rev. by	Date


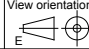


VERTICAL AND TOP OPTION  
 - Profile for plastered fasades.  
 Frame depth 117mm.



CS = CROSS SECTION



Designed by <b>SH</b>	Designed date <b>2019-05-14</b>	Product Category <b>Window Outward</b>	Processing Code
Approved by	Approved date	Product Type <b>Fixed</b>	Material
		Fast 3-glas, alu Fixed 3-glass, alu	Tolerances unless otherwise specified
		 Scale	
		Article Number	Revision
		Drawing Number <b>61-37-F201 E</b>	Revision <b>(A)</b>