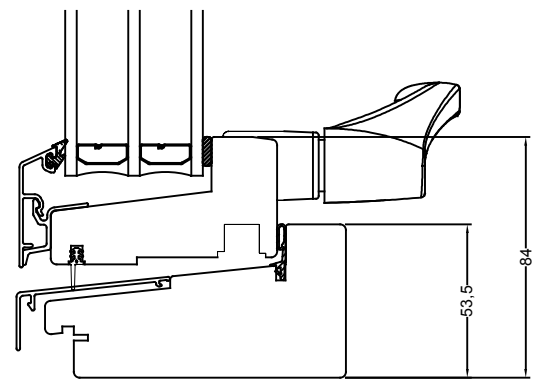
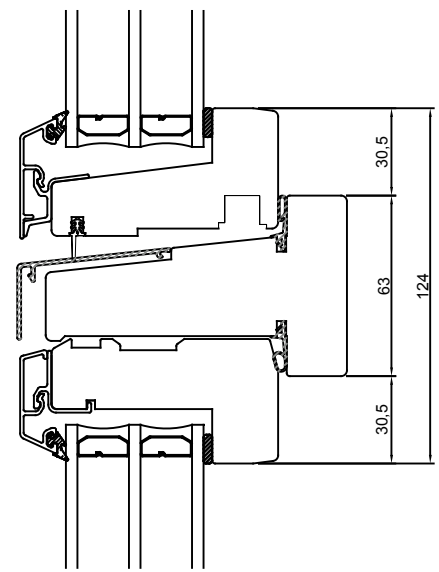
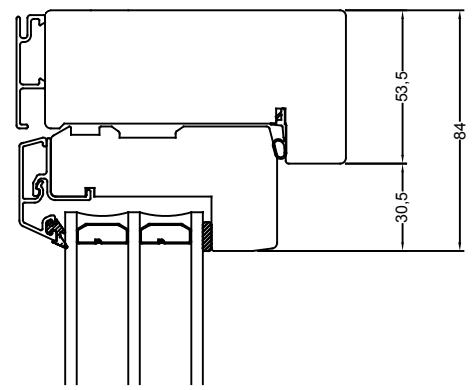
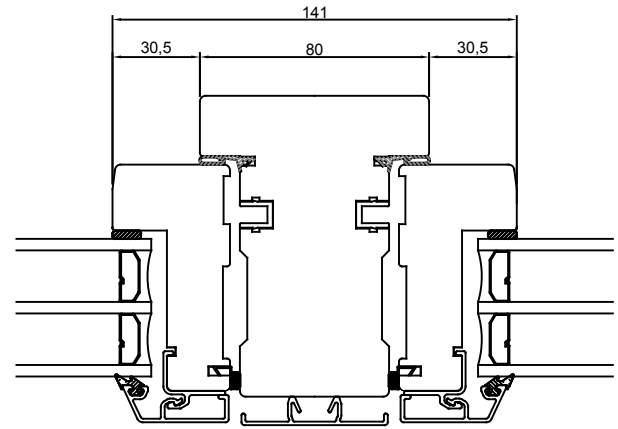
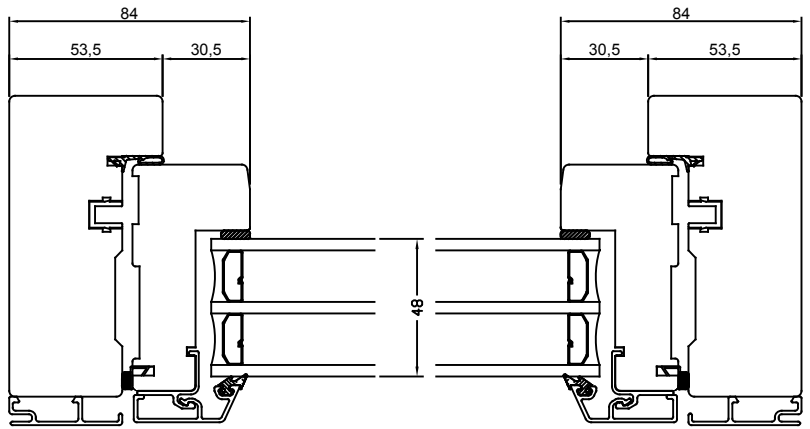

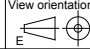


Rev	Description	Rev. by	Date



Designed by SH	Designed date 2019-05-15	Product Category Window Outward	Processing Code
Approved by	Approved date	Product Type Top Swing	Material
		Utåtgående smal, Vrid 3-glas, alu Outward narrow, Top Swing 3-glass, alu	Tolerances unless otherwise specified
		Article Number	View orientation 
Drawing Number 61-37-V206 E		Revision (A)	Scale