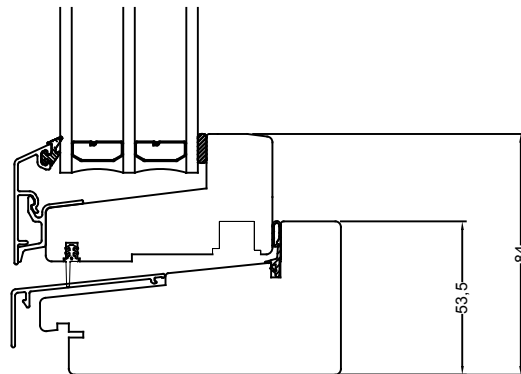
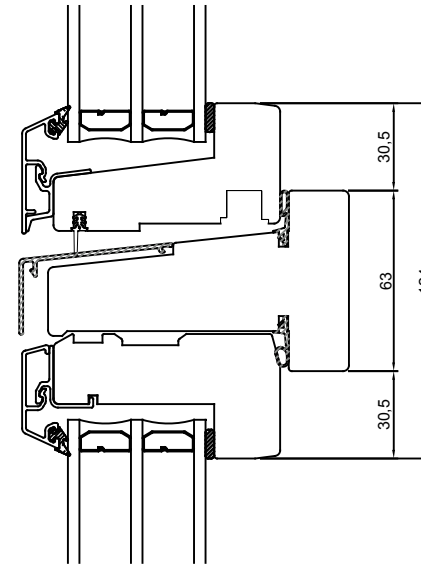
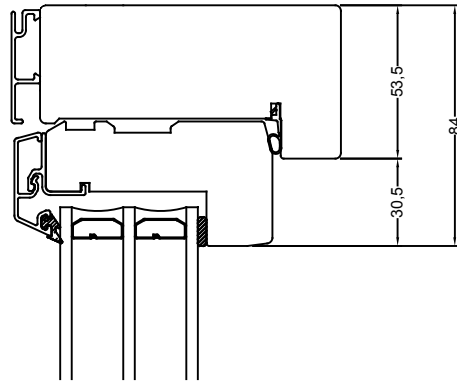
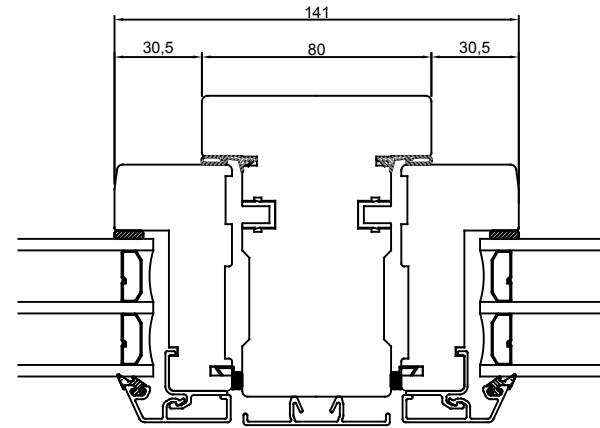
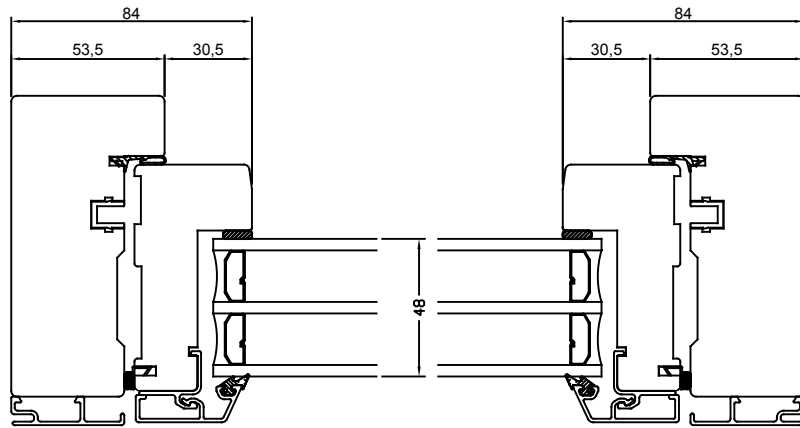

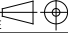


Rev	Description	Rev. by	Date



Designed by SH	Designed date 2019-05-15	Product Category Window Outward	Processing Code	
Approved by	Approved date	Product Type	Material	
		Utåtgående smal, Blindbåge	Tolerances unless otherwise specified	View orientation E 
		3-glas, alu	Article Number	Scale
		Outward narrow, Fixed	Drawing Number	Revision
		3-glass, alu	61-37-V209 E	(A)