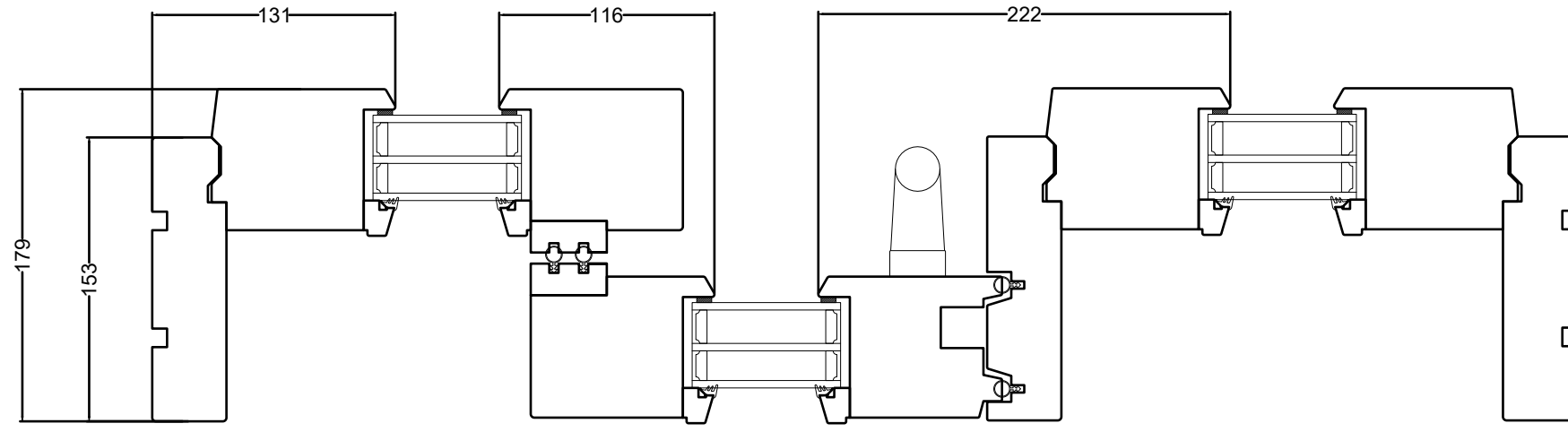
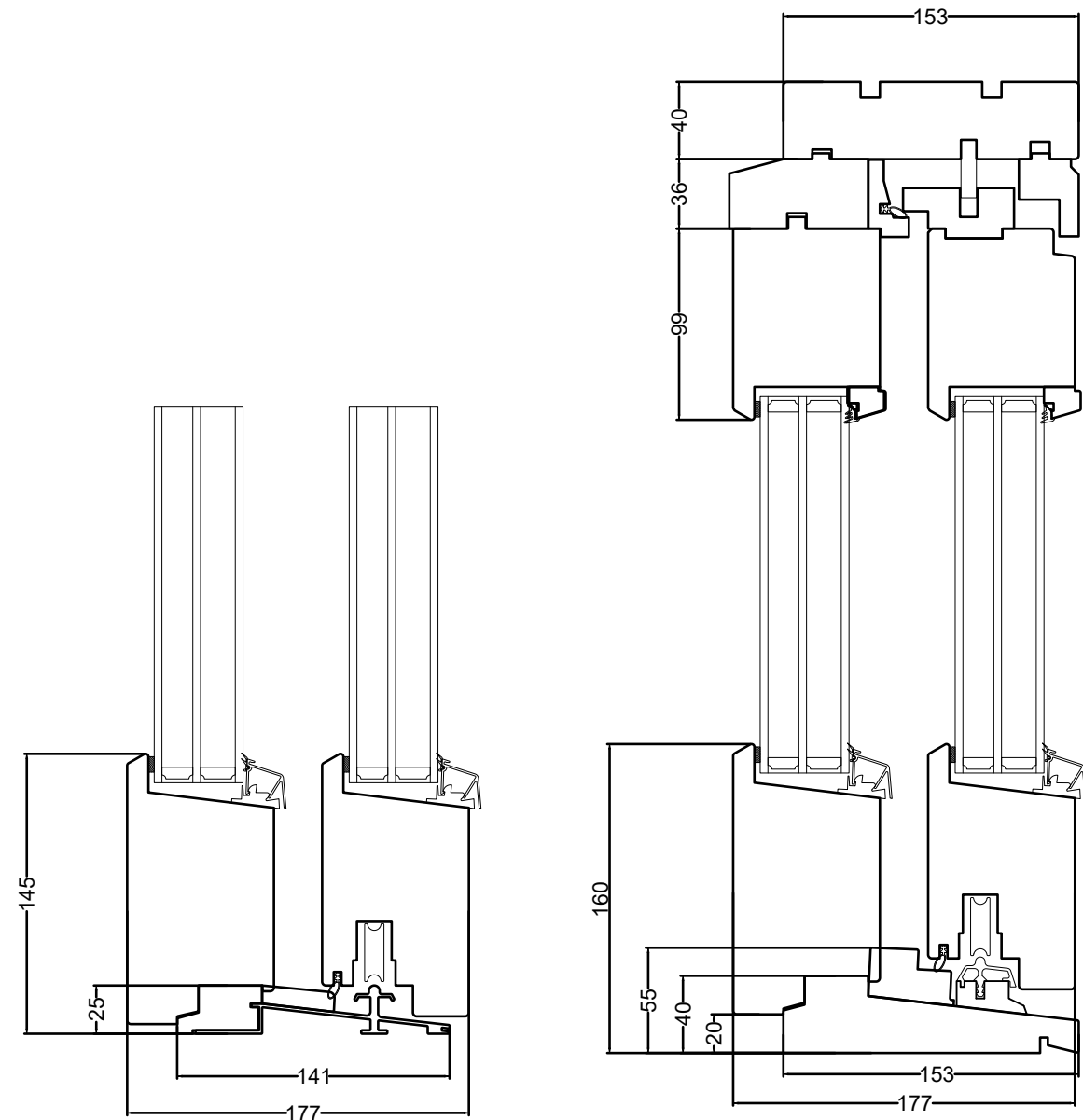


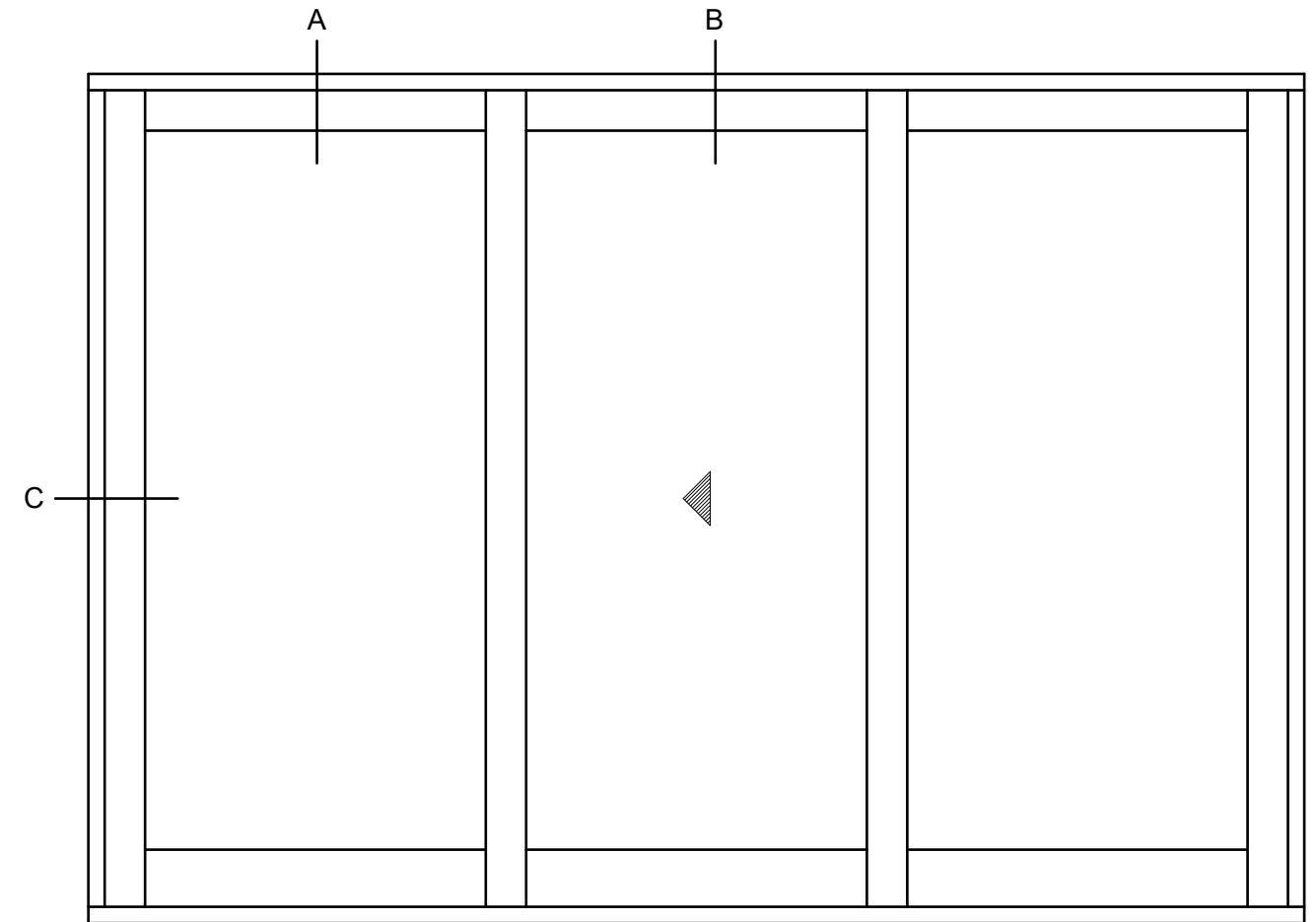
Rev	Description	Rev. by	Date


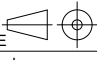


C section



A section B section



Designed by <b>SH</b>	Designed date <b>2023-07-06</b>	Product Category <b>Door</b>	Processing Code
Approved by <b>SH</b>	Approved date <b>2023-07-06</b>	Product Type <b>Sliding</b>	Material
		Elifönster Skjuddörr Trä 1 Skjutbar del, 2 Fasta delar Elitfönster Sliding Door Wood 1 Sliding part, 2 Fixed parts	Tolerances unless otherwise specified
		Article Number	View orientation 
Drawing Number <b>86-37-15 E</b>		Revision <b>A</b>	Scale