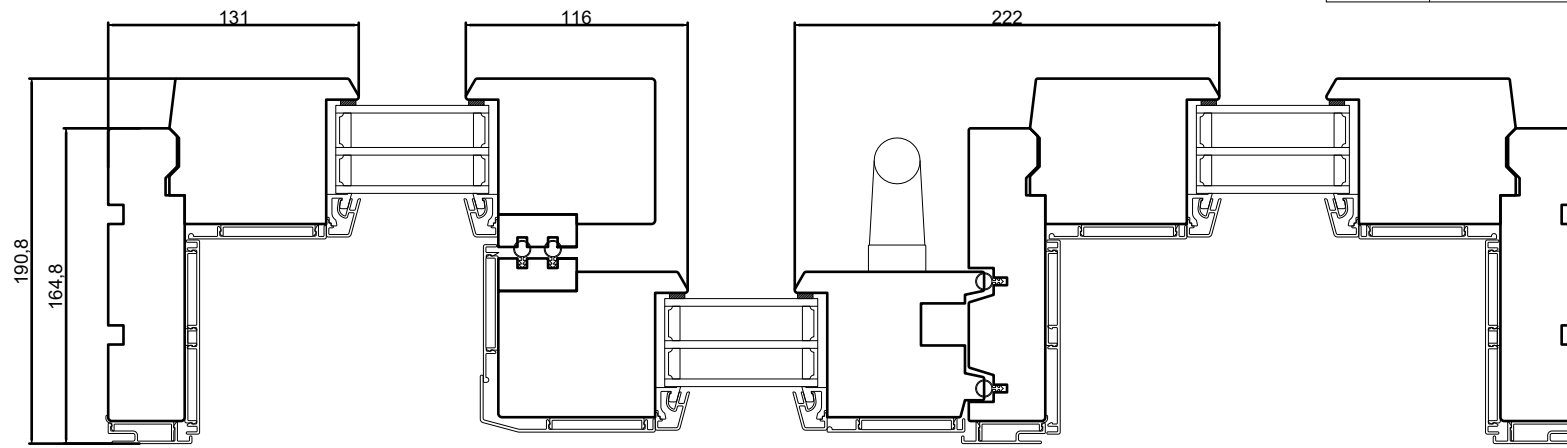
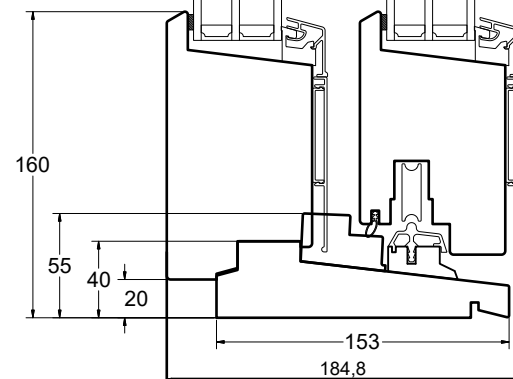
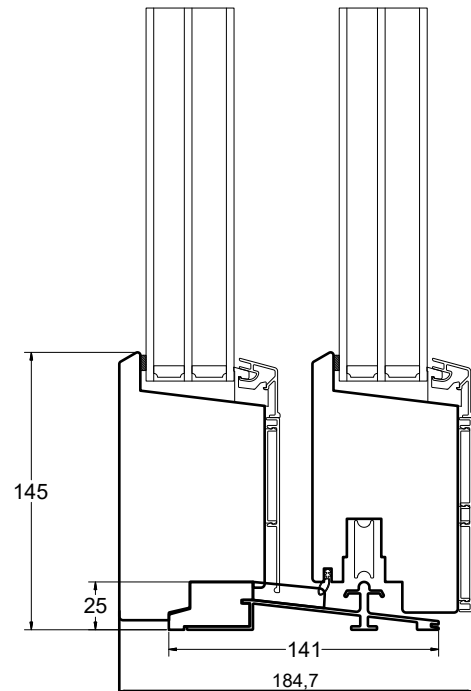
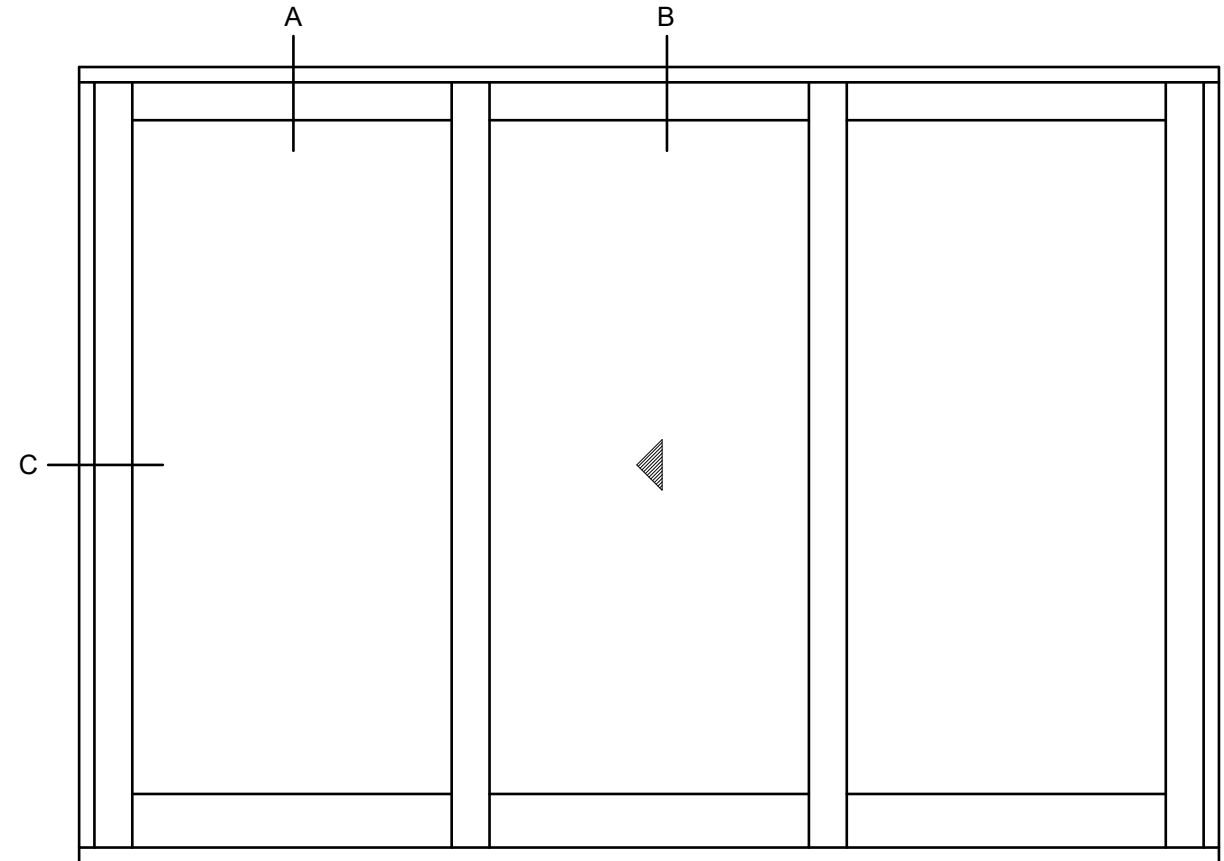
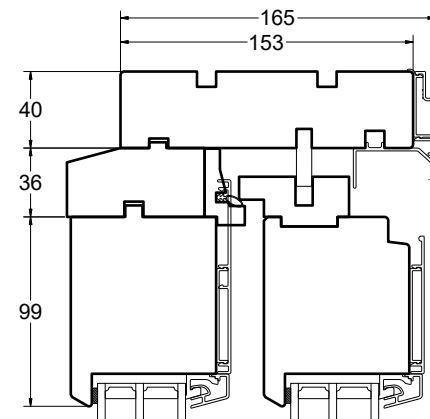


We reserve all rights in this document and in the information contained therein.
 Reproduction, use or disclosure to third parties without express authority is strictly forbidden.
 INWIDO

Rev	Description	Rev. by	Date



C section



A section

B section

Designed by JB	Designed date 2023-03-25	Product Category Door	Processing Code
Approved by SH	Approved date 2023-03-29	Product Type Sliding	Material
 Elitfönster		Elifönster Skjuddörr Alu 1 Skjutbar del, 2 Fasta delar Elitfönster Sliding Door Alu 1 Sliding part, 2 Fixed parts	
		Tolerances unless otherwise specified	View orientation 
Drawing Number 86-37-12 E		Revision A	