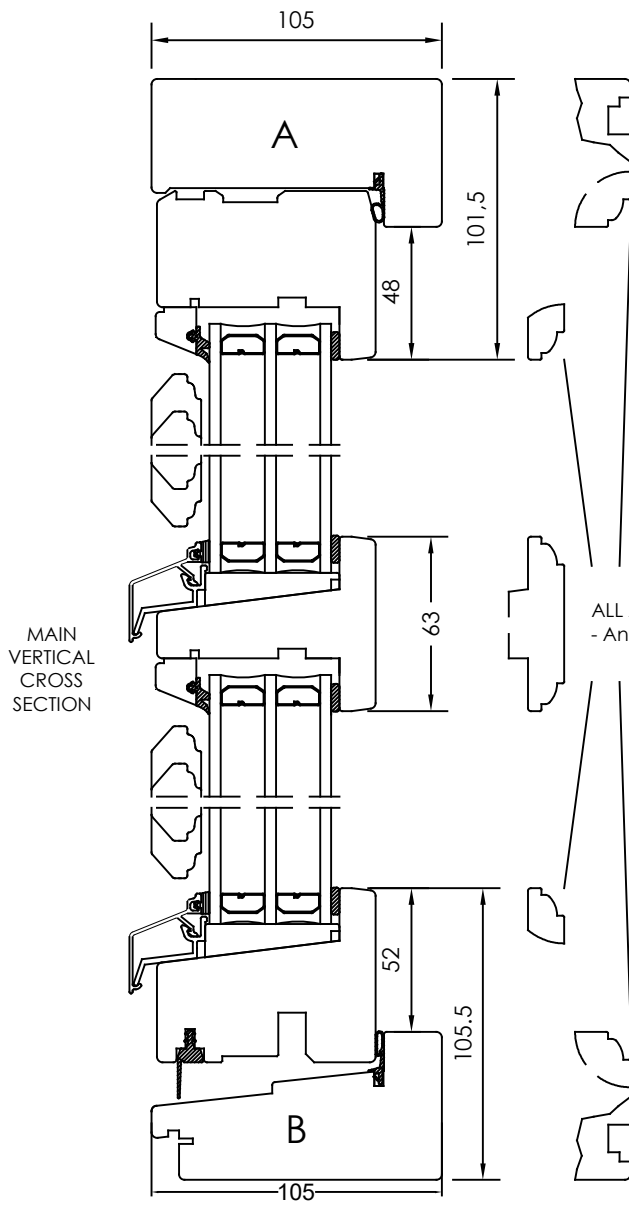
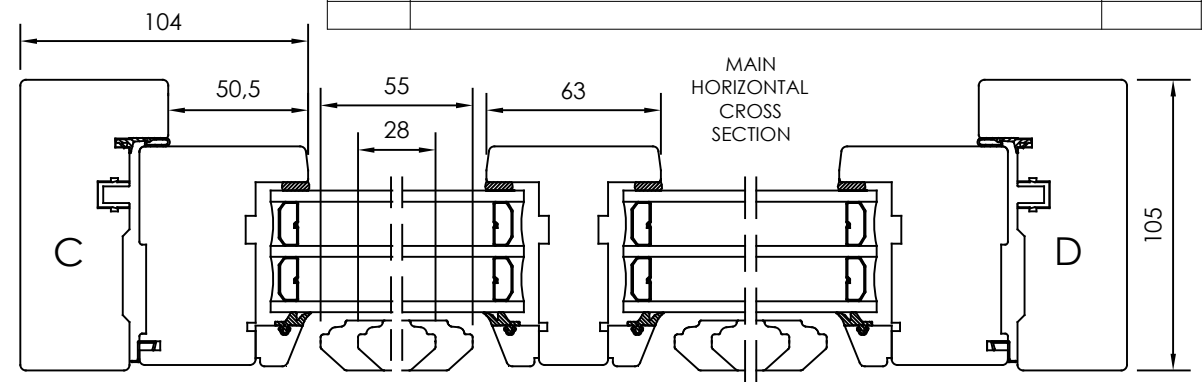
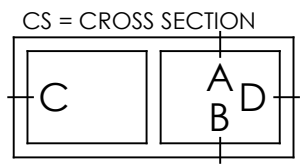
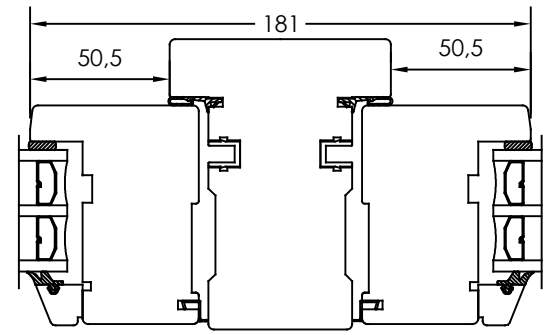
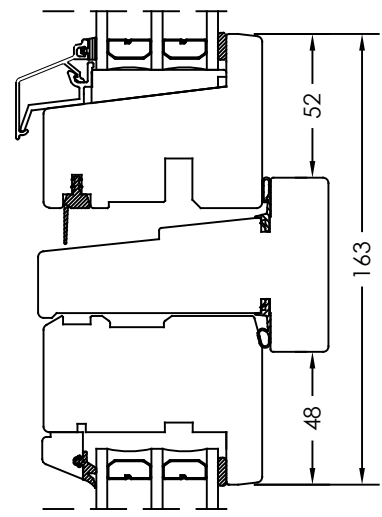


Rev	Description	Rev. by	Date



ALL AROUND OPTION
- Internal slot.

ALL AROUND OPTION
- Antique internal design.



Designed by JB	Designed date 2023-03-14	Product Category Window Outward	Processing Code
Approved by JB	Approved date 2023-11-30	Product Type Top Swing	Material
		Vrid	Tolerances unless otherwise specified ISO 2768-1 m
		3-glas, glaslist 44	Article Number
		Top swing	View orientation
3-glass, glazing bead 44		Drawing Number 61-37-V021	Scale 2:1
		Revision A	

We reserve all rights in this document and in the information contained therein. Reproduction, use or disclosure to third parties without express authority is strictly forbidden. INWIDO