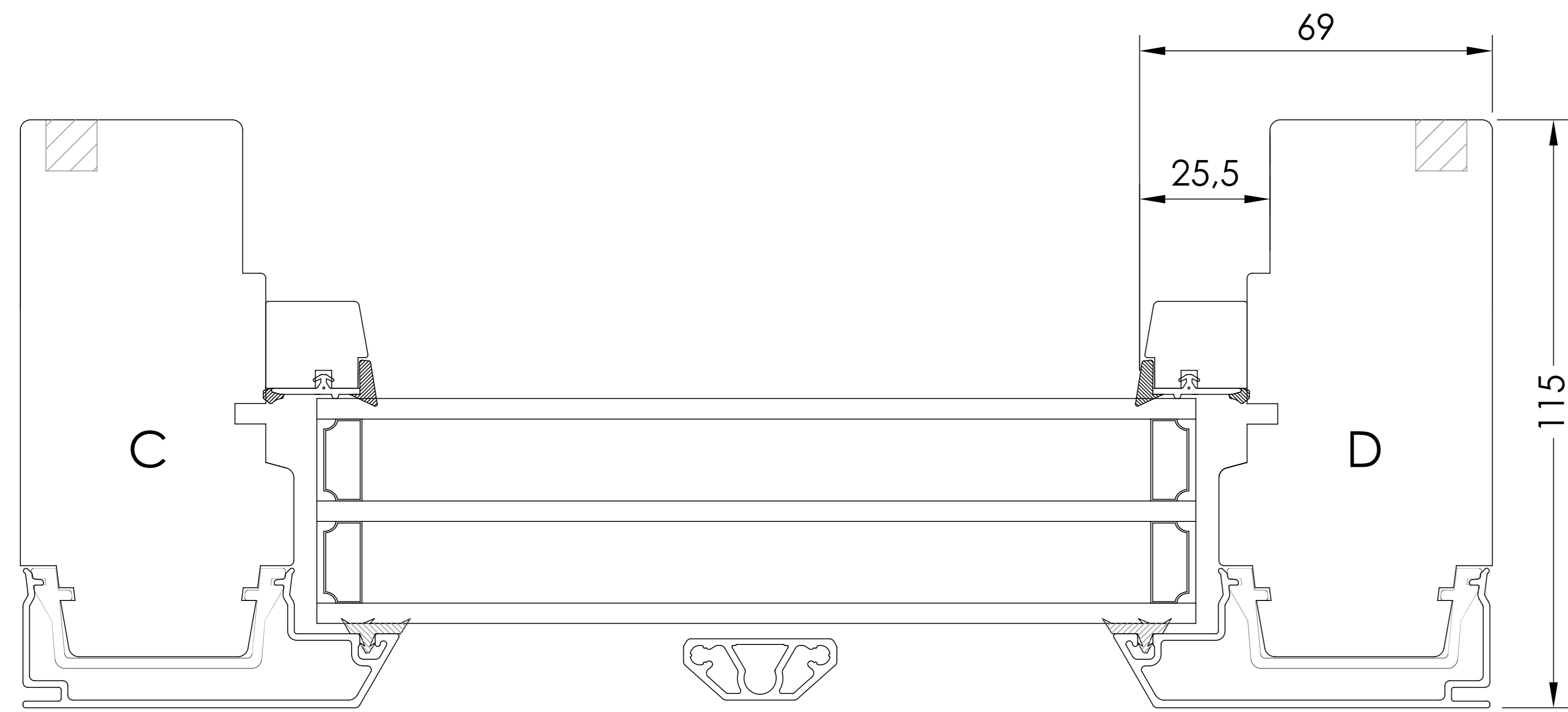
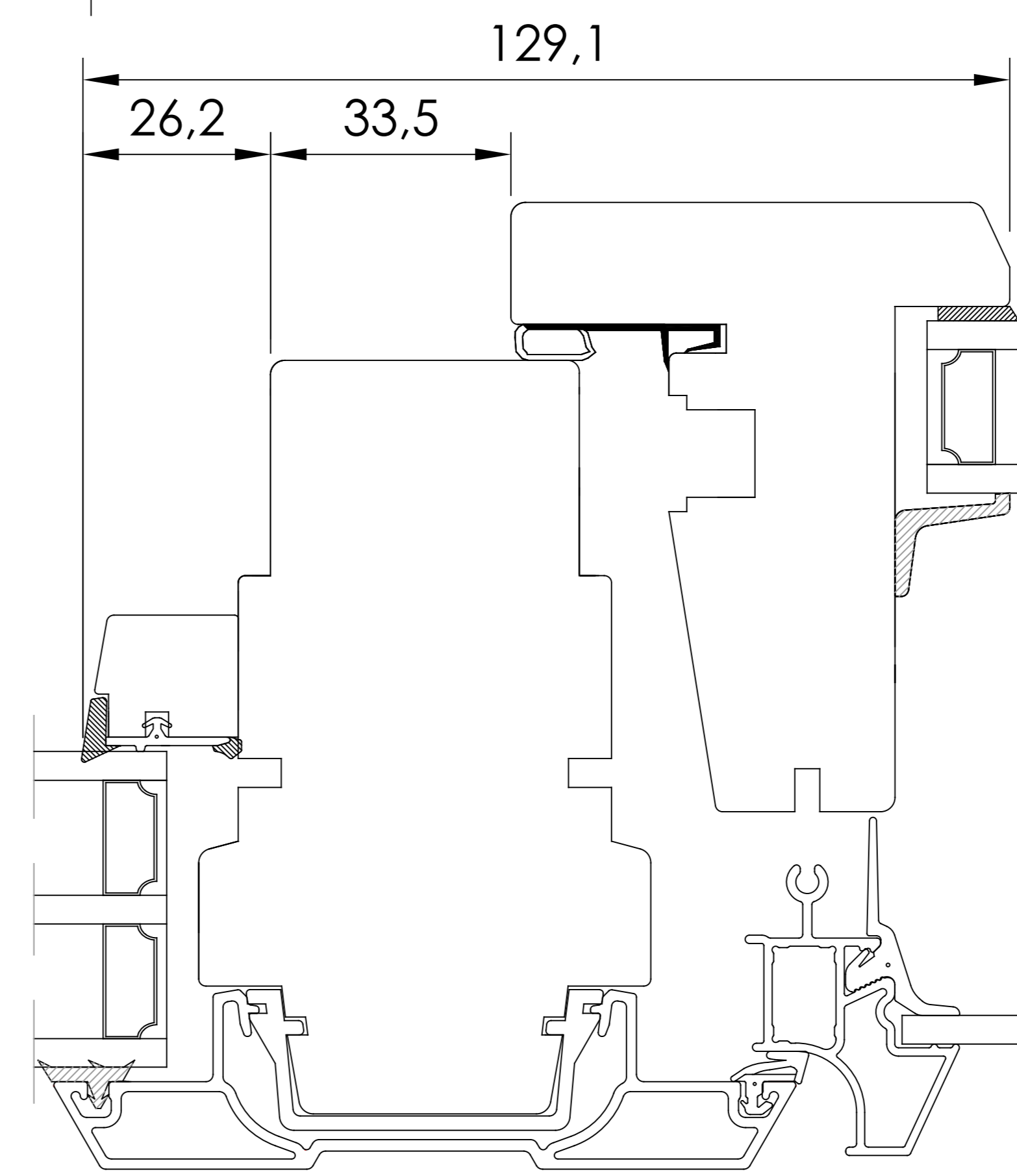


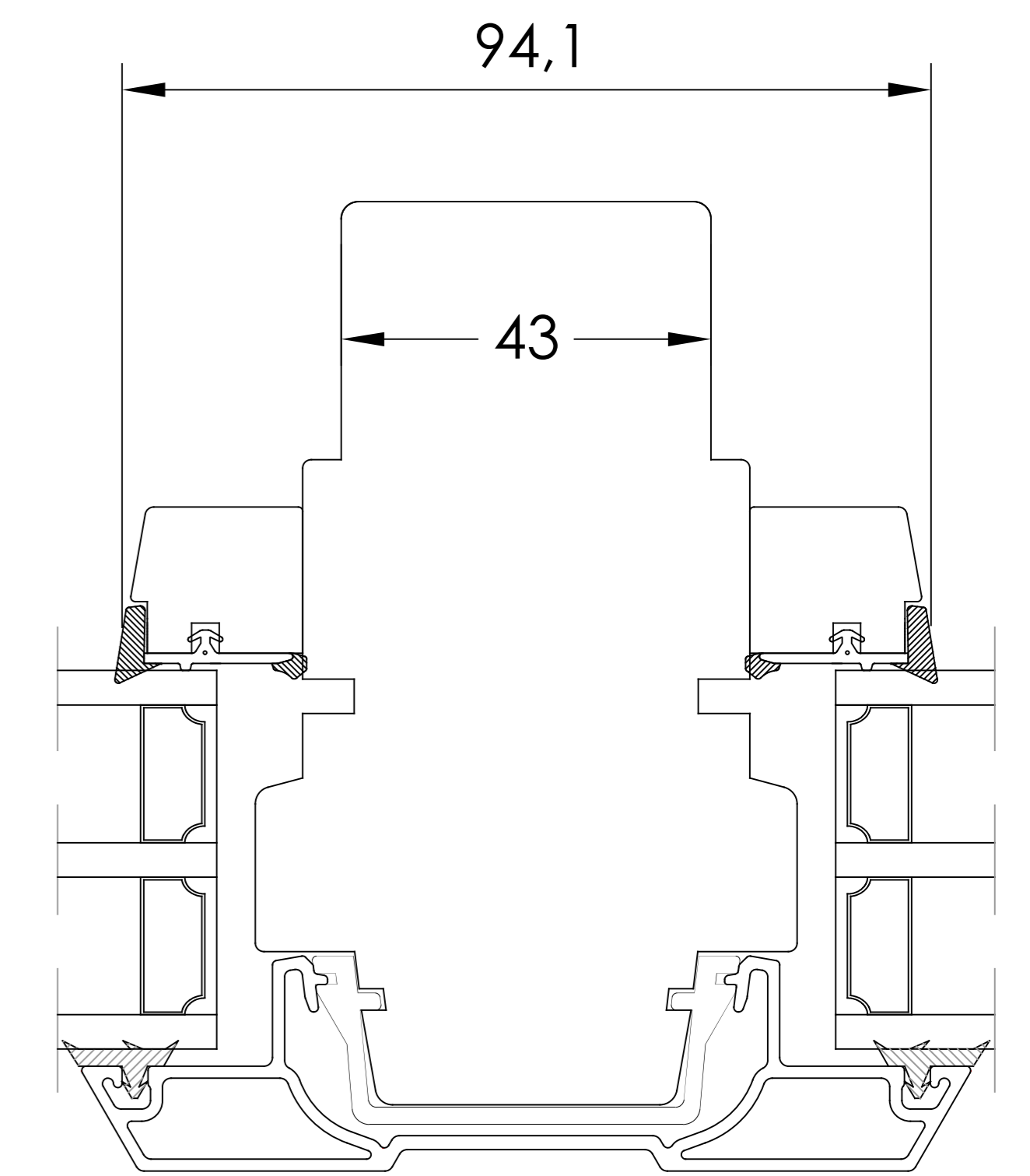
Upphovsrätten till detta dokument och alla bilagor anförs till mottagaren personligen, den förblir alltid Inwido AB:s (556633-3828) egendom. Allt kopierat eller på annat sätt reproducerat detta dokument till tredje part utan skriftligt tillstånd är strängt förbjudet.



MAIN HORIZONTAL CROSS SECTION

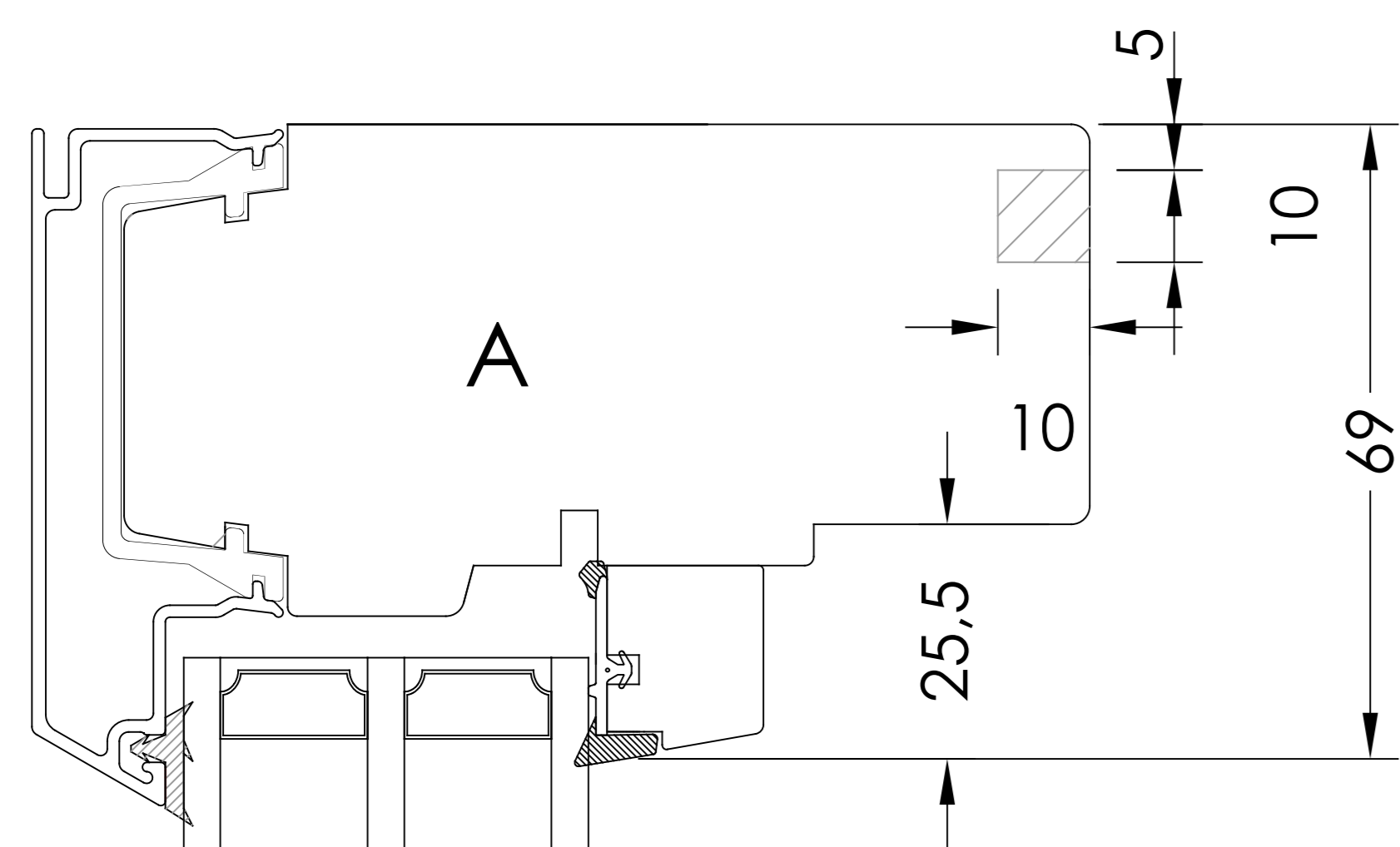


HORIZONTAL CS OPTION
- One glass in fixed frame, the other in sash with side hung fittings and kipp-dreh function.

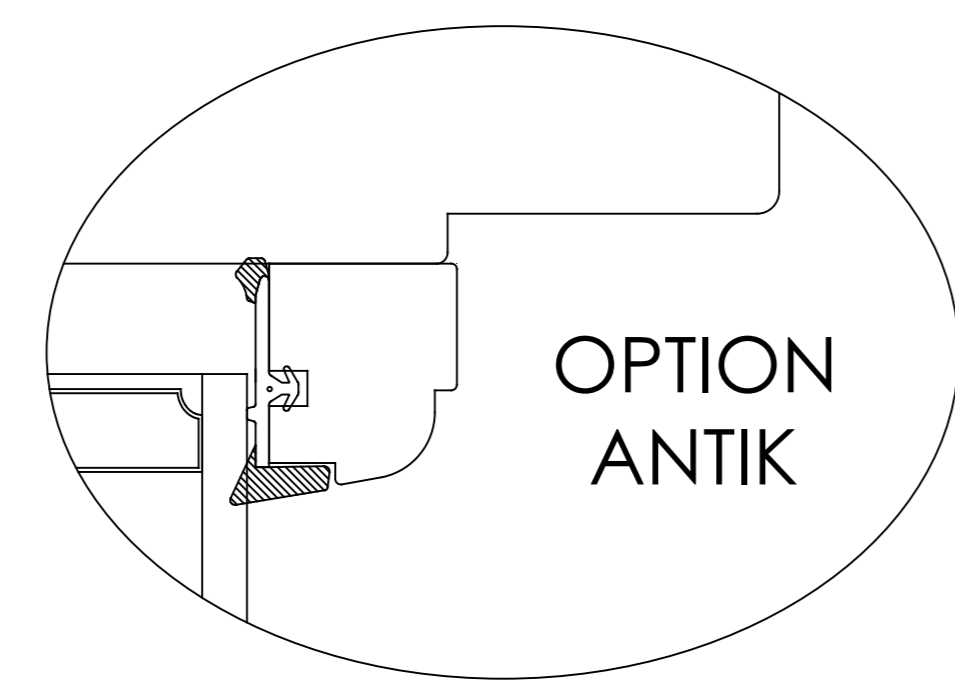


HORIZONTAL CS OPTION
- Both glass fixed in frame with middle post.

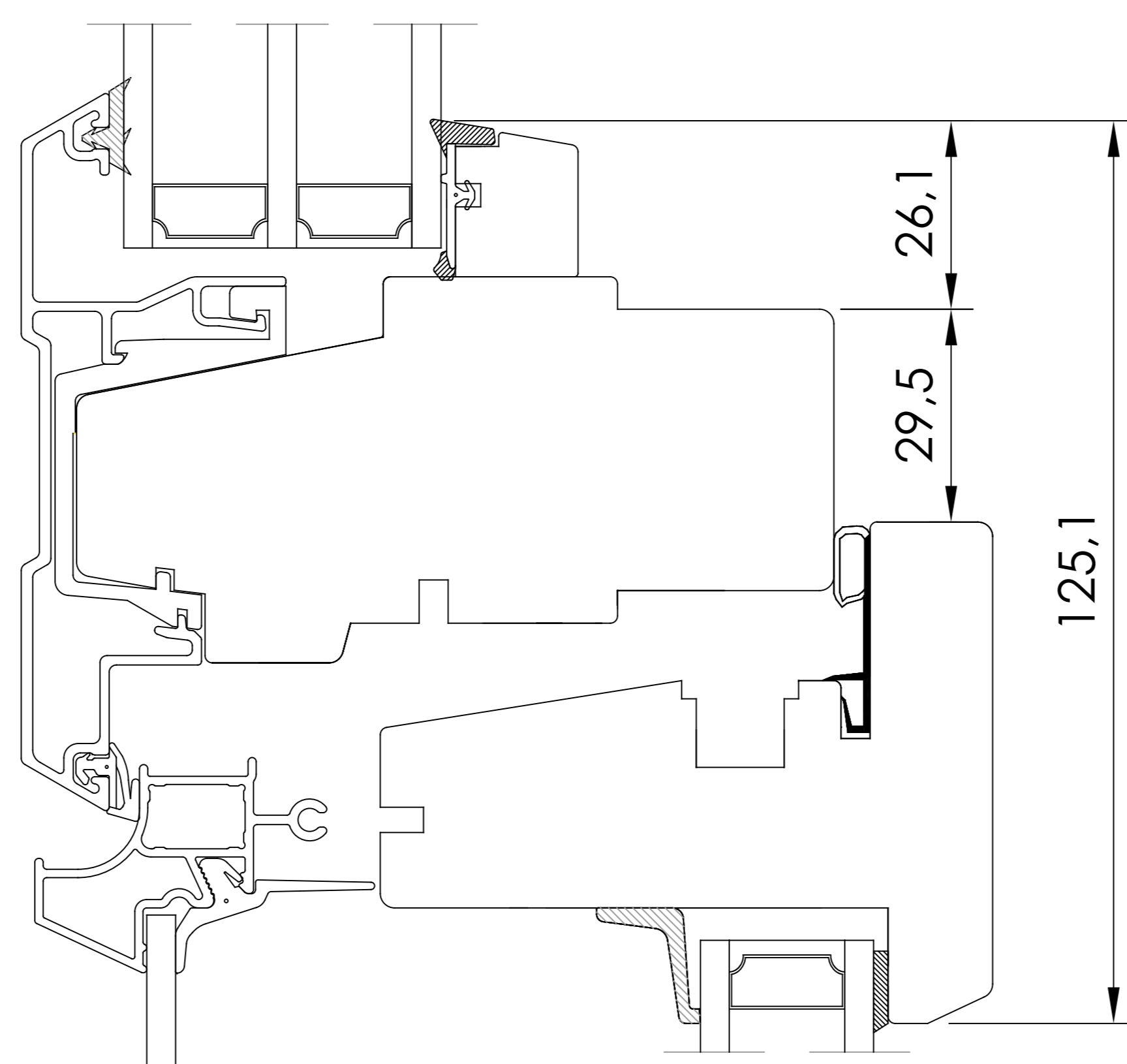
ALL AROUND OPTION
- Internal slot (not for exterior kipp-dreh).



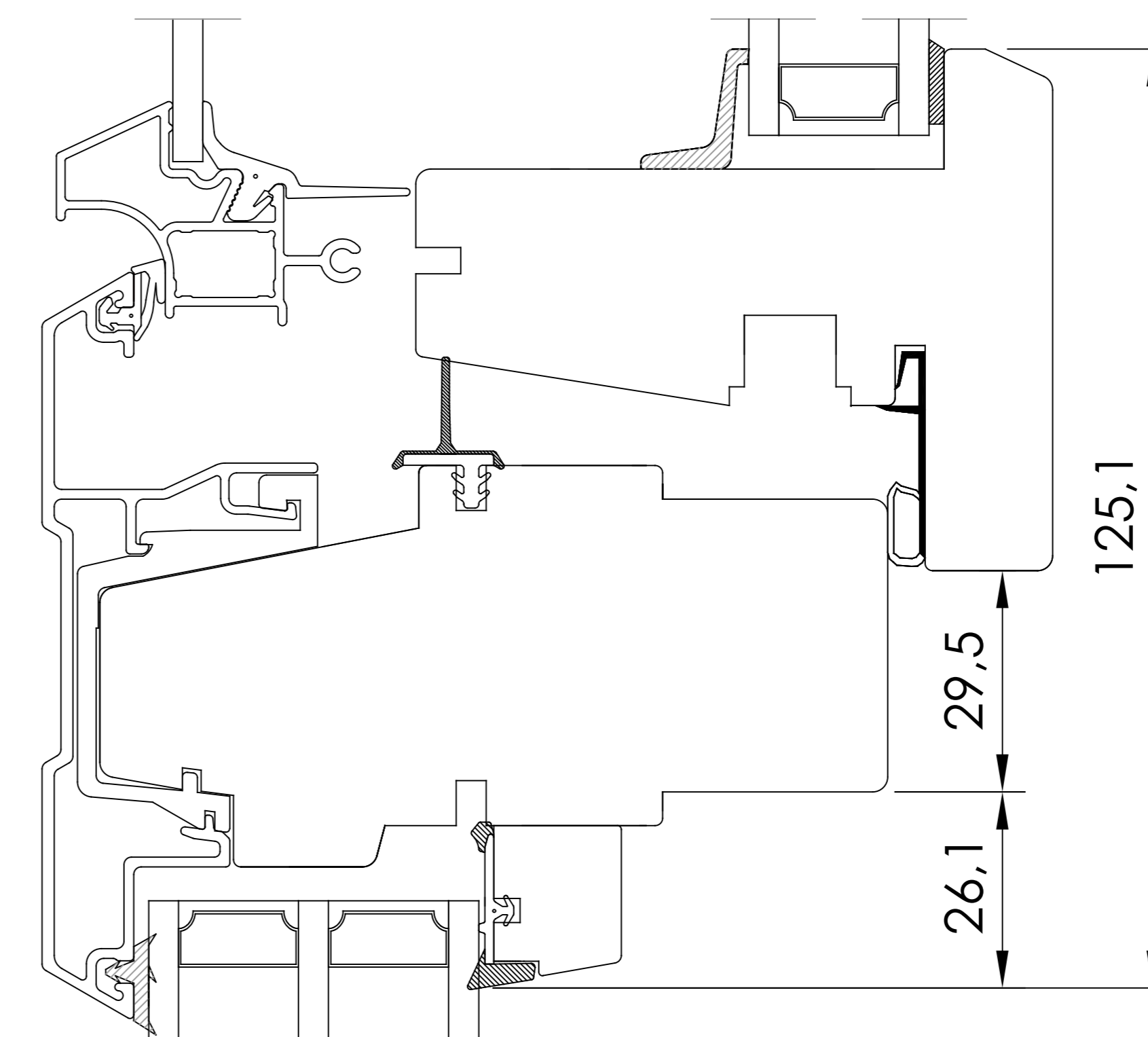
MAIN VERTICAL CROSS SECTION



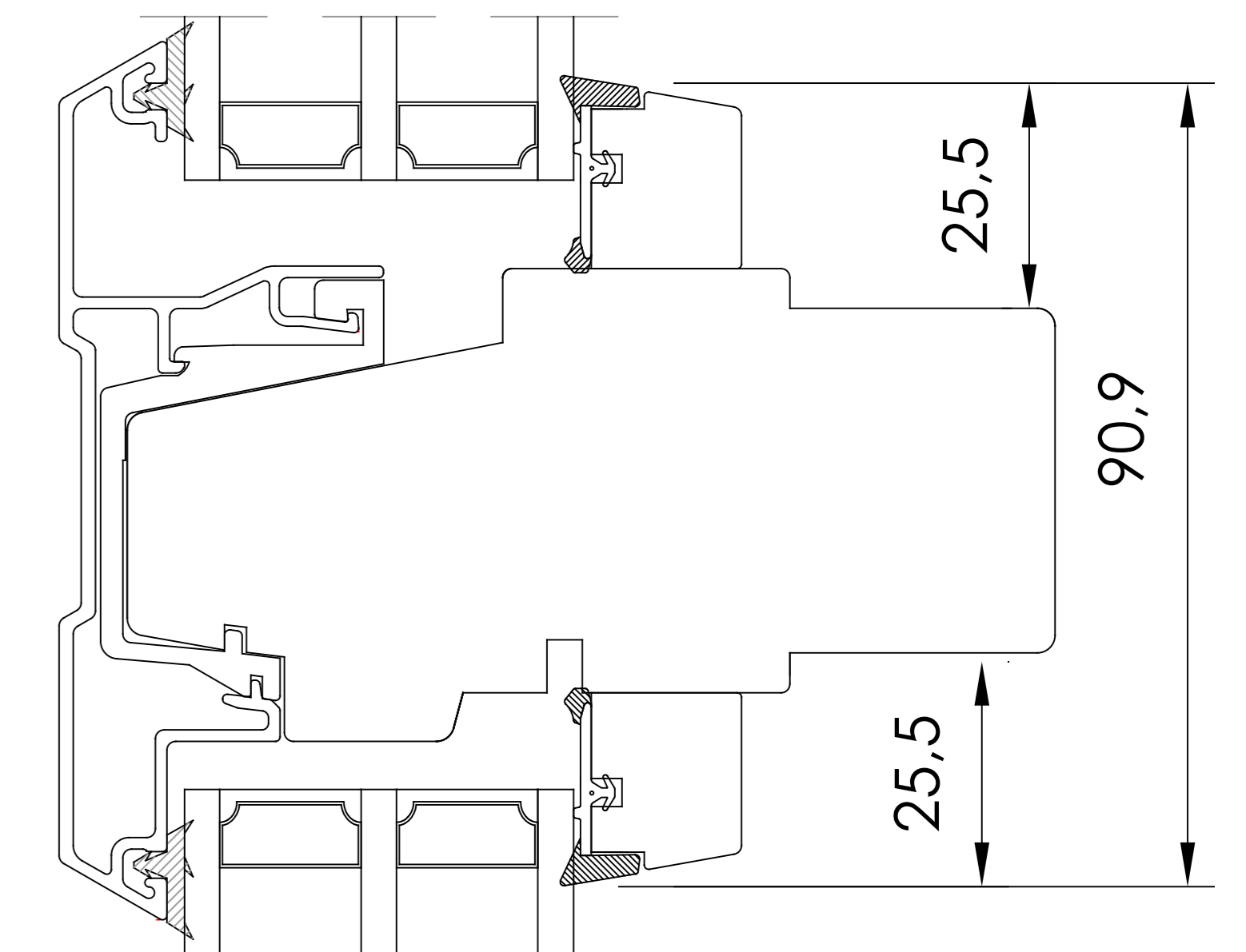
OPTION ANTIK



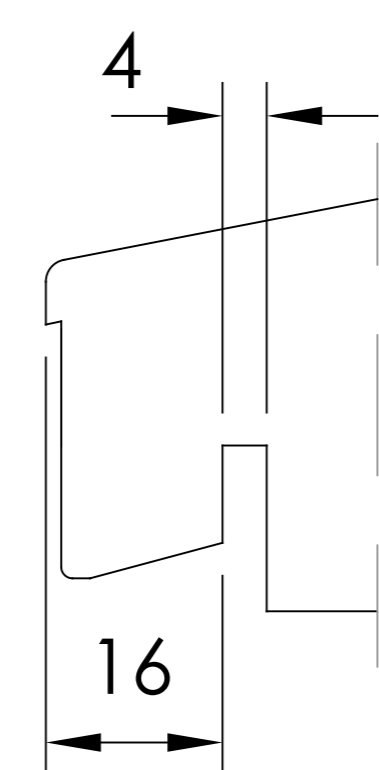
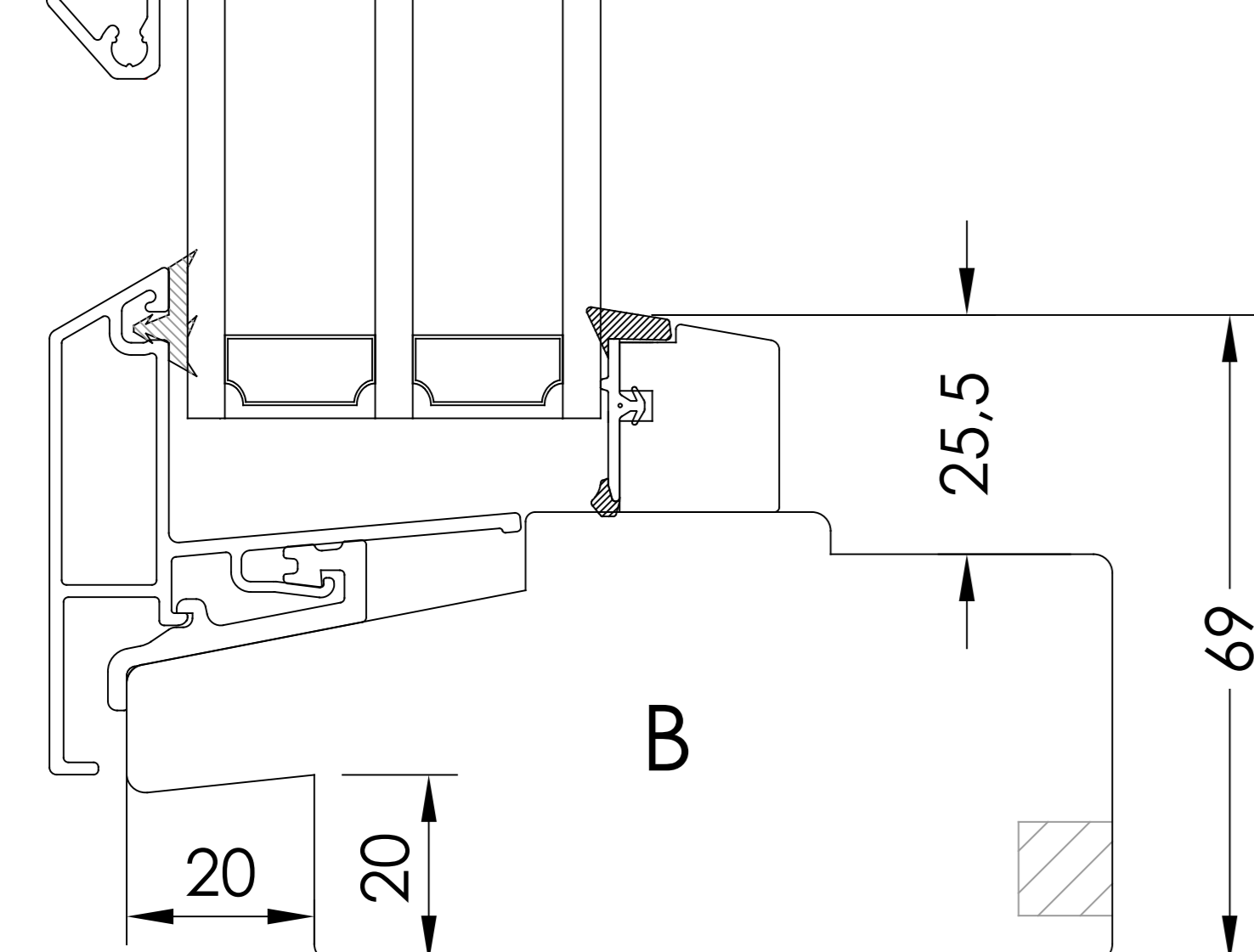
VERTICAL CS OPTION
- Top glass in frame and bottom glass in sash with side hung fittings and kipp-dreh function.



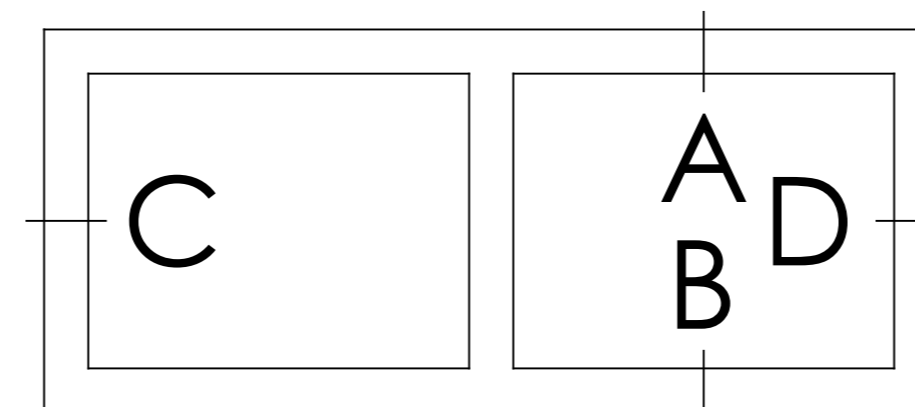
VERTICAL CS OPTION
- Top glass in sash with side hung fittings and kipp-dreh function, bottom glass in frame.



VERTICAL CS OPTION
- Both glass fixed in frame with middle post.



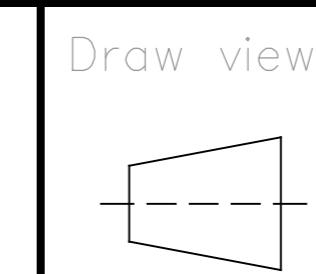
VERTICAL CS OPTION
- Norwegian nose.



CS = CROSS SECTION

Item	No.	Description	Drawingnumber	Articlenumber
Revision notification			Revised by	Revised date
Revision description				
Description		Window, Fixed	Created by TE	Created date 2020-08-03
Material			General tolerance acc. to ISO2768-1	Processing code
Included in product		Inward	Included in product family Fixed	Article number

INWIDO
Great Windows & Doors



Scale
1:2

Size
A3

Drawing number

40-37-W52

Revision no

(A)